

WE5

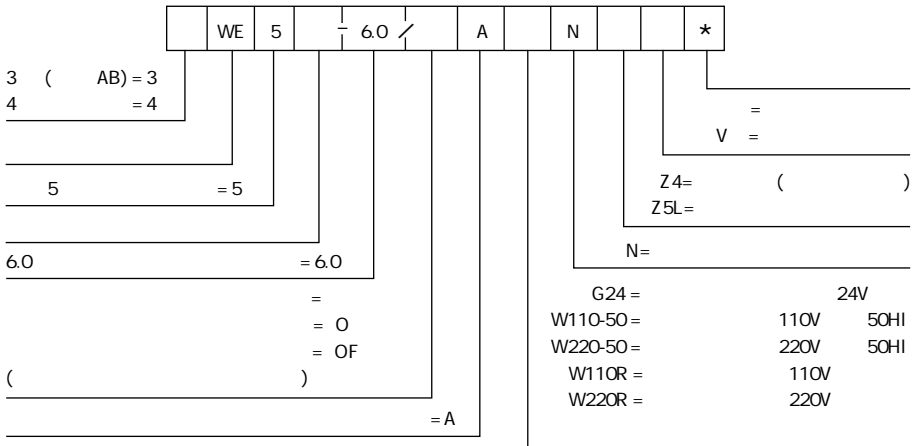
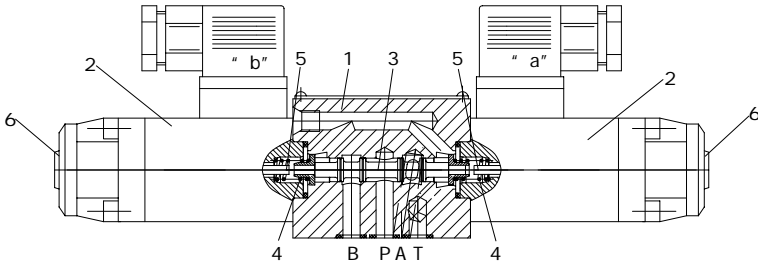
(1) 1 2 (2) (3) 1 2 (4)
 (3) (4) () (3)

(2)

(2) (5) (3) P A B T

P B A T

(2) (3) (4)
 (6) (3)



			-30 +50 ()
			-20 +50 ()
	kg		1.4
	(G115/01A)	kg	0.8
	A B P	bad	250
	T	bad	60
		A B T	
			L/min 14
()	Q	mm ²	6%
	W	mm ²	3%
			-
			-
			-30 +80
			-20 +80
mm ² /e			2.8 500
			NAS1638 9 ISO4406 20/18/15

			50HI
	V	12 24 48 96; 110 205 220	110 127 220
	%	+10p -15	
	W	26	-
	VA	-	46
	VA	-	130
ISO 6403	me	40	25
	me	30	20
	/h	15000	7200
DIN 40050		IP65	
		+150	

PE \perp



中国

+86 400 101 8889

美国

+01 630 995 3674

德国

+49 172 3683463

日本

+81 03 6809 1696



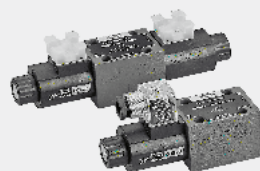
©



2.11

WE 6...L7X 型

(NG) 6
315bad
60L/min



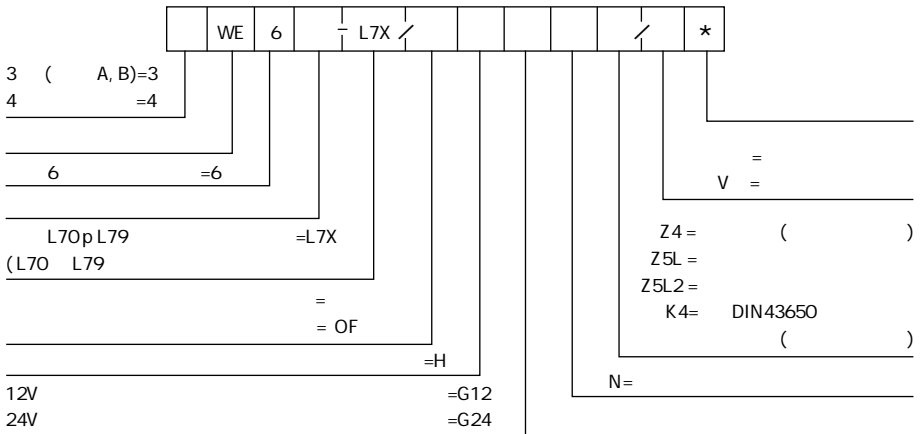
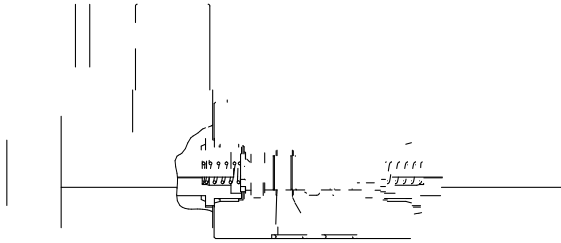
目录

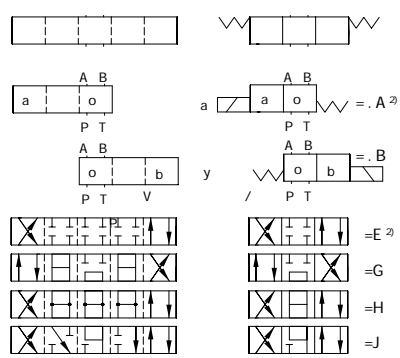
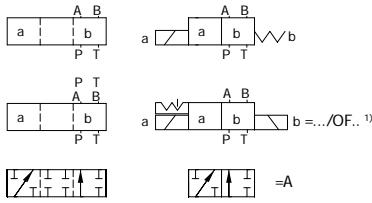
02
02
03
03
03
04
04
05

特点

-
- DIN24 340A
ISO 4401 CETOP-RP 121H
-
-

02



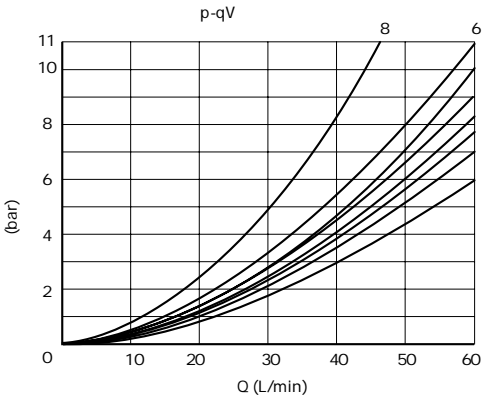


1) D
2) E "a" ...EA

		-30 +50 ()	
		-20 +50 ()	
	kg	1.25	
	kg	1.6	
	A, B, P bad	315	
	T bad	160	A B T
	L/min	60	
		-	
		-	
		-30 +80	
		-20 +80	
	mm ² /e	2.8 500	
		NAS1638 9	ISO4406 20/18/15

	V	12 24
	%	+10p -10
	W	26
ISO 6403	me	25 45
	me	10 25
	/h	15000
DIN 40050		IP65
		+150

ø (HLP46 =40 f 5)



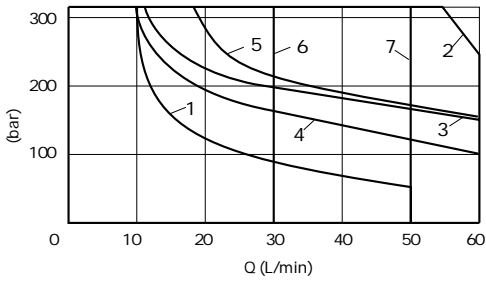
		P	A	P	B	A	T	B	T
A	B	3		3		-		-	
C		1		1		3		1	
D	Y	4		4		3		3	
E		3		3		1		1	
J		1		1		2		1	
G		6		6		7		7	
H		2		5		2		2	

7 H P T
8 G T P T

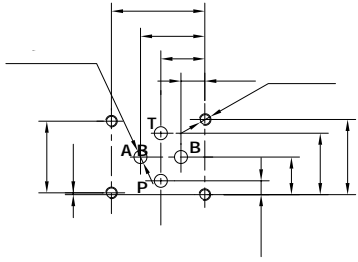
ø (HLP46 =40 f 5)

(P A B) (B T P A)

10 T



1	A B
2	C Y
3	E
4	J
5	D
6	G H
7	D/OF



A

A

A

S

中国

+86 400 101 8889

美国

+01 630 995 3674

德国

+49 172 3683463

日本

+81 03 6809 1696



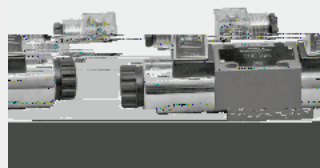
©



212

WE 6...L6X 型

(NG) 6
350bad
80L/min



目录

02
03
04
04
05
05
06-07
08-09

特点

-
- DIN24 340A
ISO 4401 CETOP-RP 121H
-
-
-

WE

(1)	1	2	(2)	(3)	1	2	(4)
(3)		(4)		()		(3)

(2)

(2) (5) (3) P A B

T P B A T

(2) (3) (4)

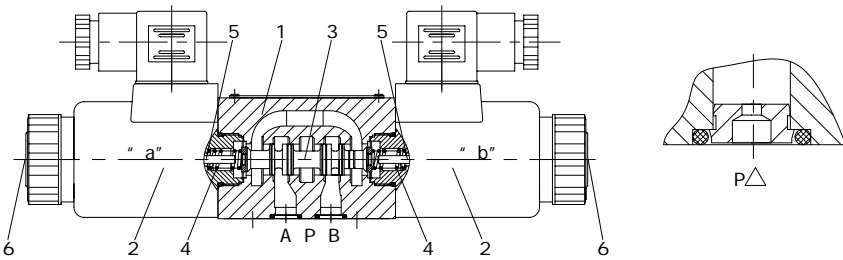
(6) (3)

WE6...L6X/O... (A C D)

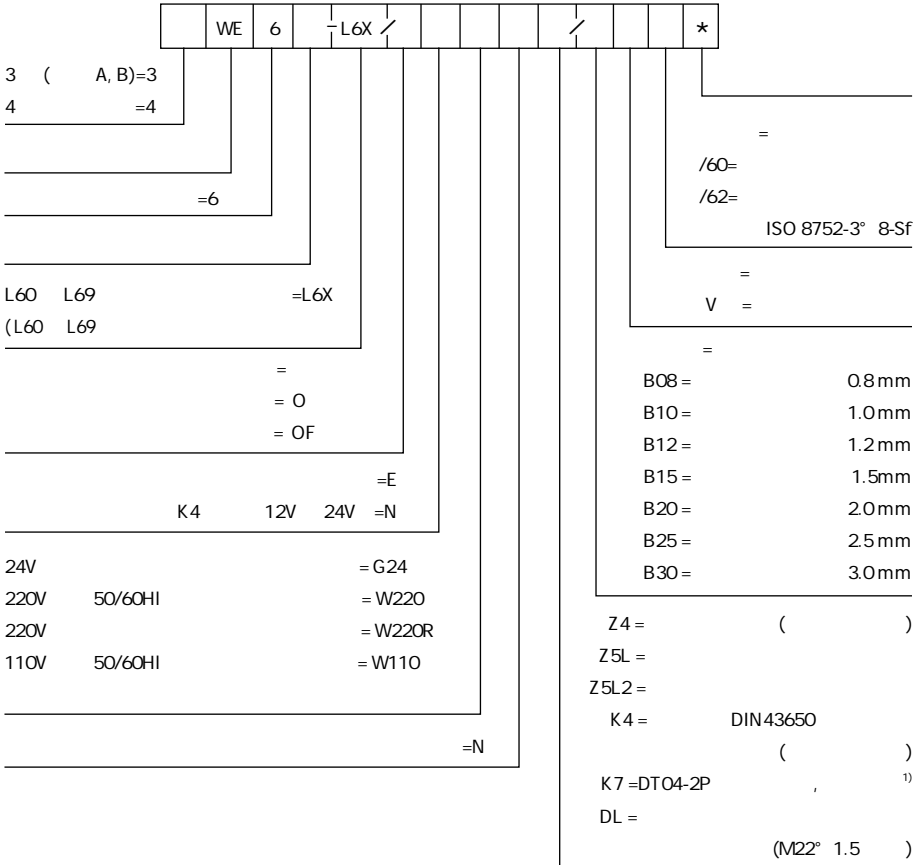
WE6...L6X/OF... (A C D)

(WE6...L6X/.../B...

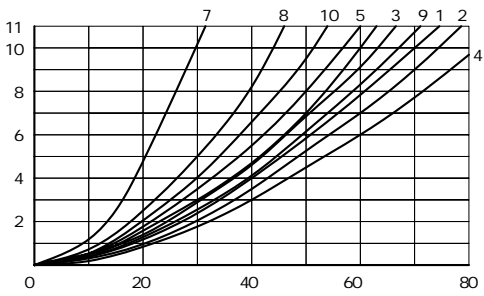
P



02



:
¹⁾ K7 12V 24V



		-30 +50 ()
		-20 +50 ()
	kg	1.5
	kg	2.0
	A B P bad	350
	T bad	210(DC) 160(AC)
		A B T
		L/min 80(DC) 60(AC)
()	mm ²	Q 6%
	mm ²	W 3%
		-30 +80 ()
		-20 +80 ()
		mm ² /e 2.8 500
		NAS1638 9 ISO4406 20/18/15

02

V	12 24 28 ³⁾ 48 96 110 205 220	110 127 220	
%	: +10p -15 : +20p -30		
W	: 30 : 32		
VA	-	50	
VA	-	220	
ISO 6403	me	25 45	10 20
	me	10 25	15 40
		/h 15000	7200
DIN 40050		IP65(Z4 Z5L) IP67 K7	
		+150	+180

PE ⊥

1

(HLP46 =40 f 5)

(B T P A)

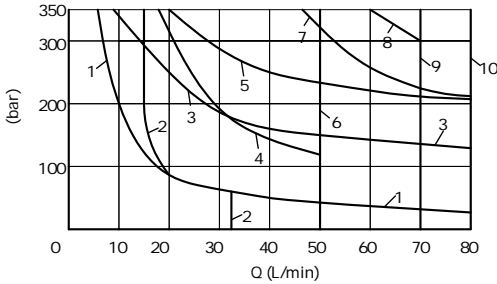
(P A B)

15 T

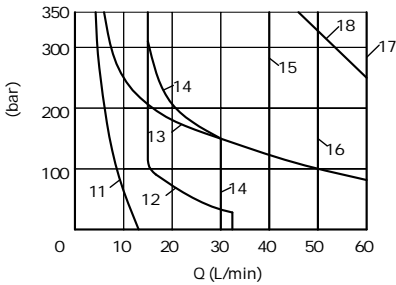
				-50HI		-60HI	
1	A B ₁₎	11		A B ₁₎	19	A B ₁₎	
2	V	12		V	20	V	
3	A B	13		A B	21	A B	
4	F P	14		F P	22	F P	
5	J	15		G T	23	G T	
6	G H T	16		H	24	J L U	
7	A/O A/OF L U	17		A/O A/OF C/O	25	A/O A/OF Q W	
8	C D Y			C/OF D/O D/OF	26	C D Y	
9	M			E J L M	27	H	
10	E R ₂₎ C/O C/OF	18		Q R ₂₎ U W	28	C/O C/OF D/O	
	D/O D/OF Q W			C D Y		D/OF M R E R ₂₎	

1)

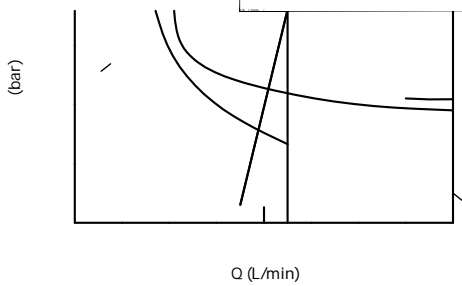
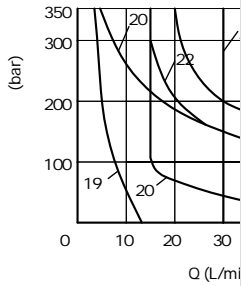
2)

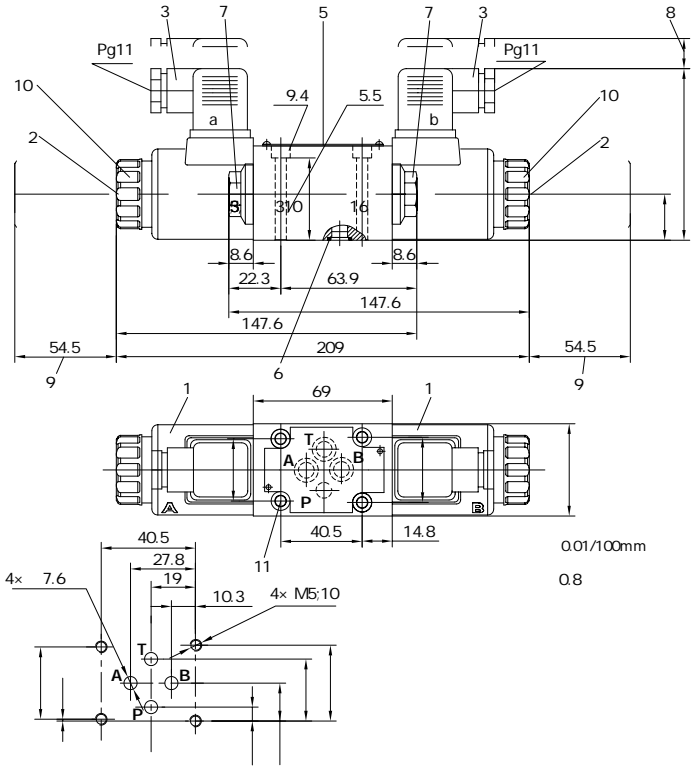


1	10	12	24	48	96 205



11	18	W110	110V 50HI
		W127	127V 50HI
		W230	230V 50HI





中国

+86 400 101 8889

美国

+01 630 995 3674

德国

+49 172 3683463

日本

+81 03 6809 1696



©



213

WE 10...L3X 型

(NG)10
315bad
120L/min

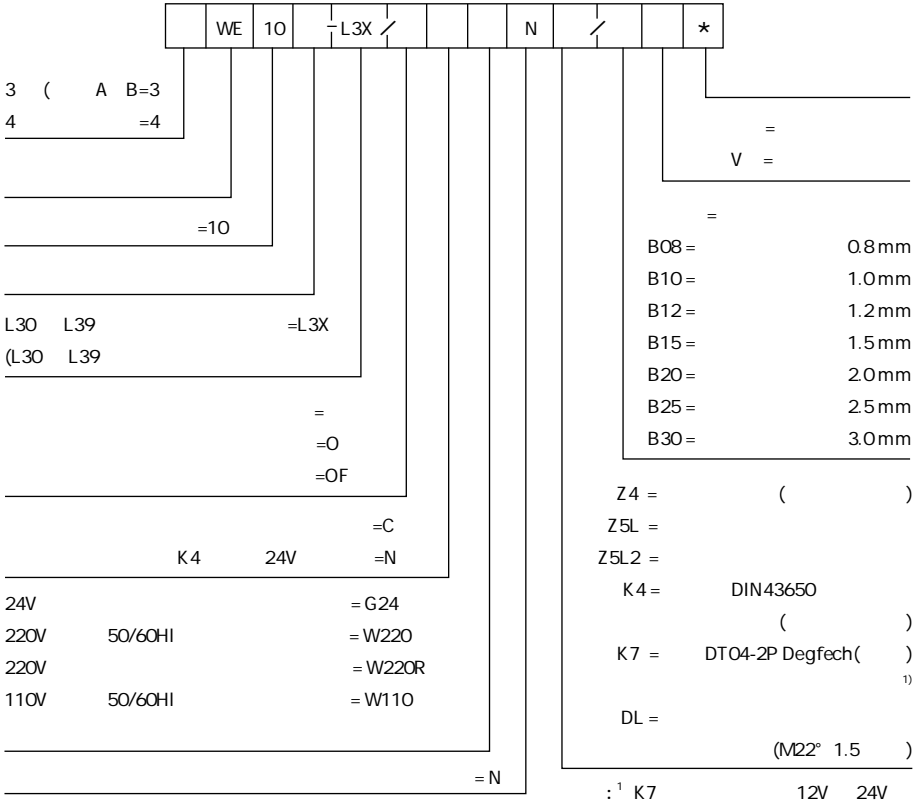


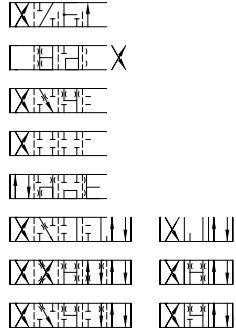
目录

02
03
04
04
05
05
06
07-08

特点

-
- DIN24 340A
ISO 4401 CETOP-RP 121H





9 (HLP46 =40 f 5)

		P	A	B	A	A	T	P	T	
R		-	9	-	-	-	-	-	-	
	P	A	P	B	B	T	A	T	P	T
F	4	-	-	8	-	-	9	9		
P	-	5	8	-	-	-	10			
G	T	-	-	-	-	-	9			
H			-	-	-	-	3			

		P	A	P	B	A	T	B	T
A	B	3	3	-	-	-	-	-	-
C		3	3	4	5				
D	Y	5	5	6	6				
E		1	1	4	4				
F		2	3	7	4				
G		3	3	6	7				
H		1	1	6	7				
J		1	1	3	3				
L		2	2	3	5				
M		1	1	4	5				
P		4	2	5	7				
Q		1	2	1	3				
R		3	6	4	-				
T		3	3	6	7				
U	V	2	2	3	3				
W		2	2	4	5				

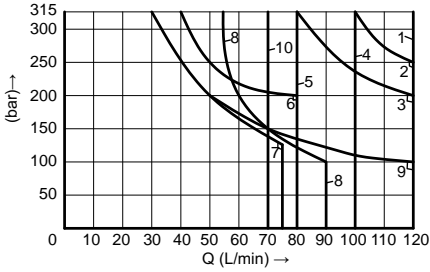


9 (HLP46 =40 f 5)

(P A B T)

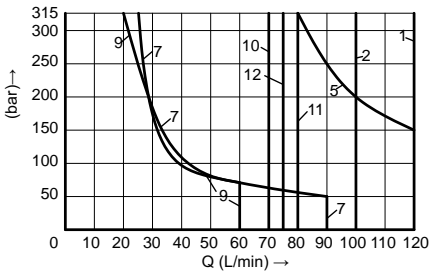
(P A B)

15 T



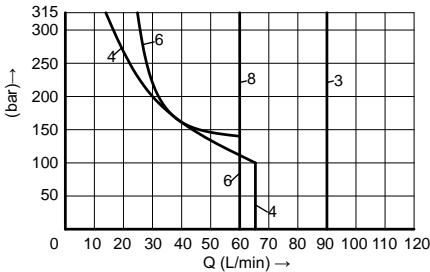
1	C, C/O, C/OF; D, D/O, D/OF; Y, M	5 ₁₎	R L ₂₎ U ₂₎
		6	G
2	E	7	T
3	A/O, A/OF; L, U, J, Q, W	8	F P
		9	A B
4	H	10	V

1 ()
2



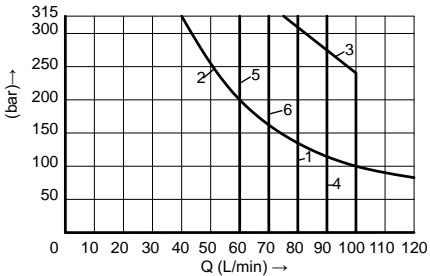
1	C, C/O, C/OF; D, D/O, D/OF; Y	6	G
		7	F P
		8	V
2	E, L, U, Q, W	9	T
3	M	10	H
4	A, B	11	R
5	A/O, A/OF, J	12 ₁₎	L U

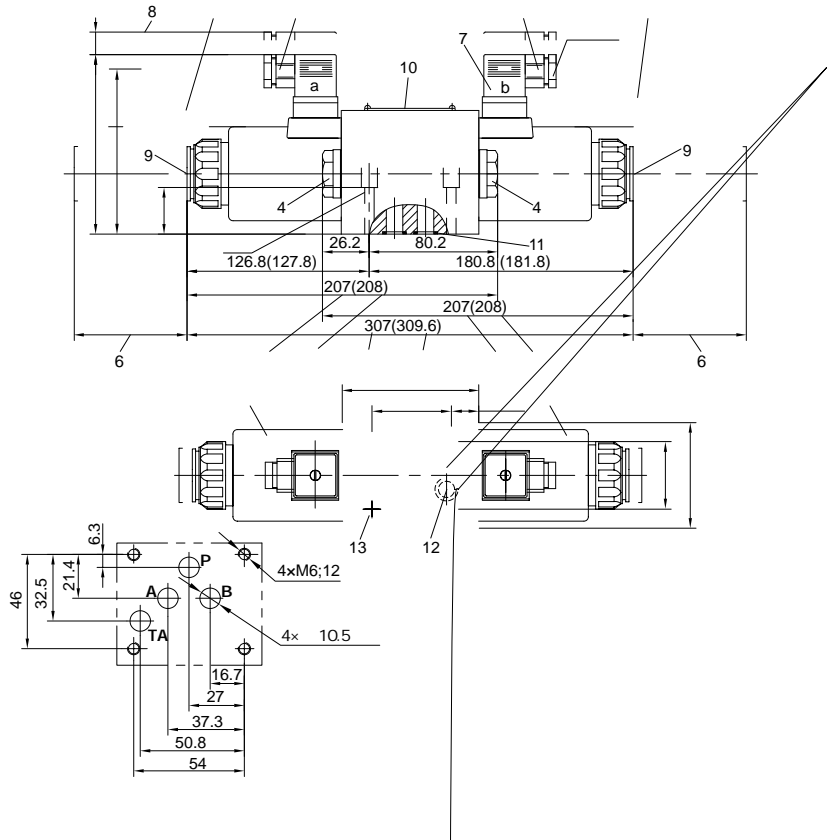
1
48V, 50HI ; 110V, 50HI ; 127V, 50HI ;
220V, 50HI ; 230V, 60HI



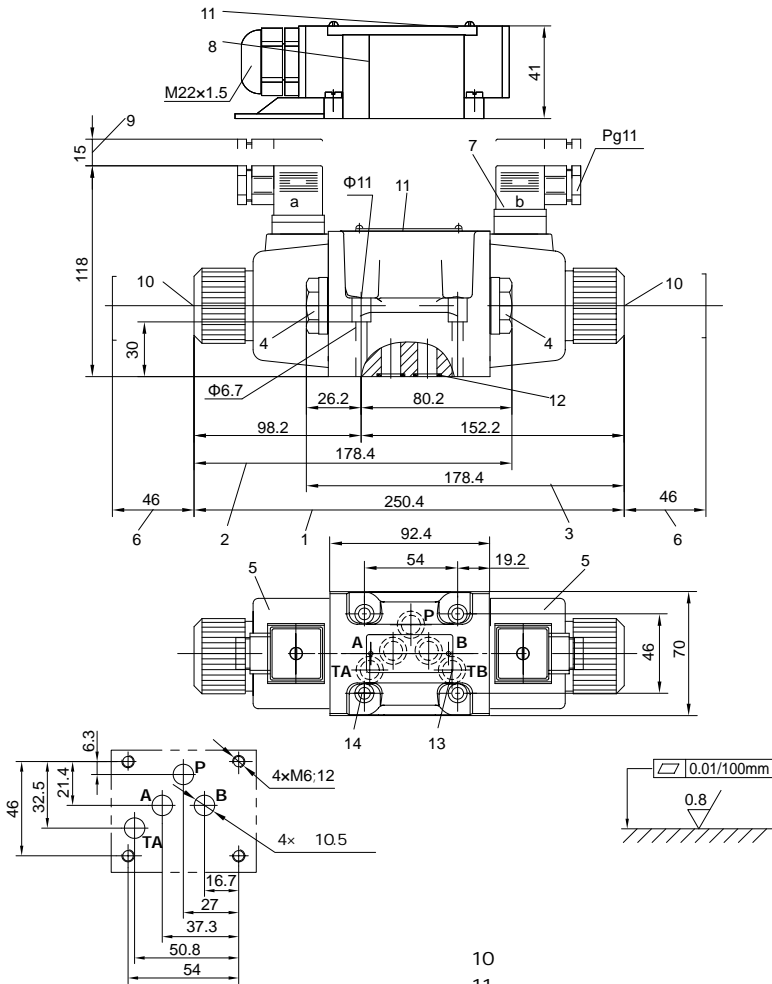
1	C, C/O, C/OF; D, D/O, D/OF; Y	3	E
		4	M
		5	V
2	A/O, A/OF	6	H

48V, 60HI 110V, 60HI
127V, 60HI 220V, 60HI





(mm)

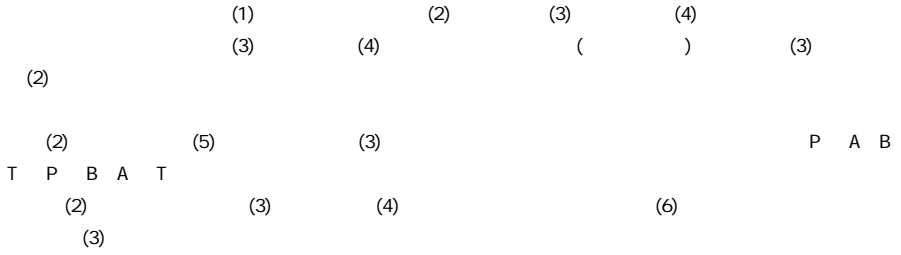


1				10	
2	1	(A C D EA...)		11	
2	1	(B Y EB...)		12	O 12° 2
3	1			13	TB
4	1			14	M6° 40GB/T70.1-10.9
5					M _k =15.5Nm
6					
7		DIN43650 (90.)		G 66/01 (G 3/8)	G 66/02 (M18° 1.5)
8		M22° 1.5		G 67/01 (G 1/2)	G 67/02 (M22° 1.5)
9				G 534/01 (G 3/4)	G 534/02 (M27° 2)

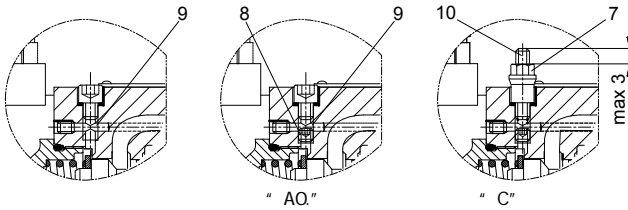
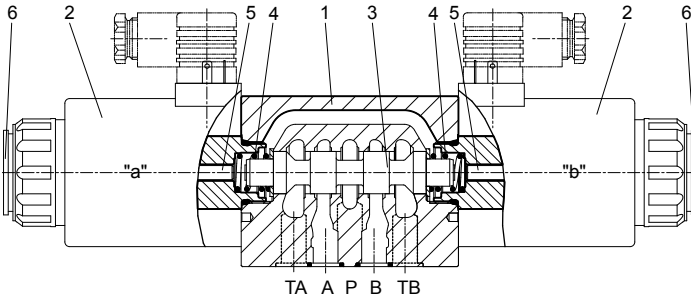
NG 10
350bad

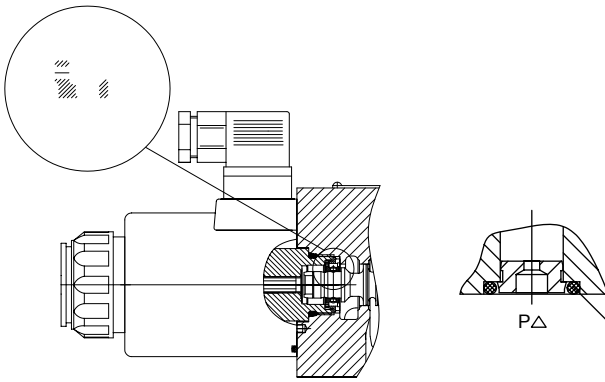
-
- DIN24 340A
- ISO 4401 CETOP-RP 121H
-
- 90,
-
-

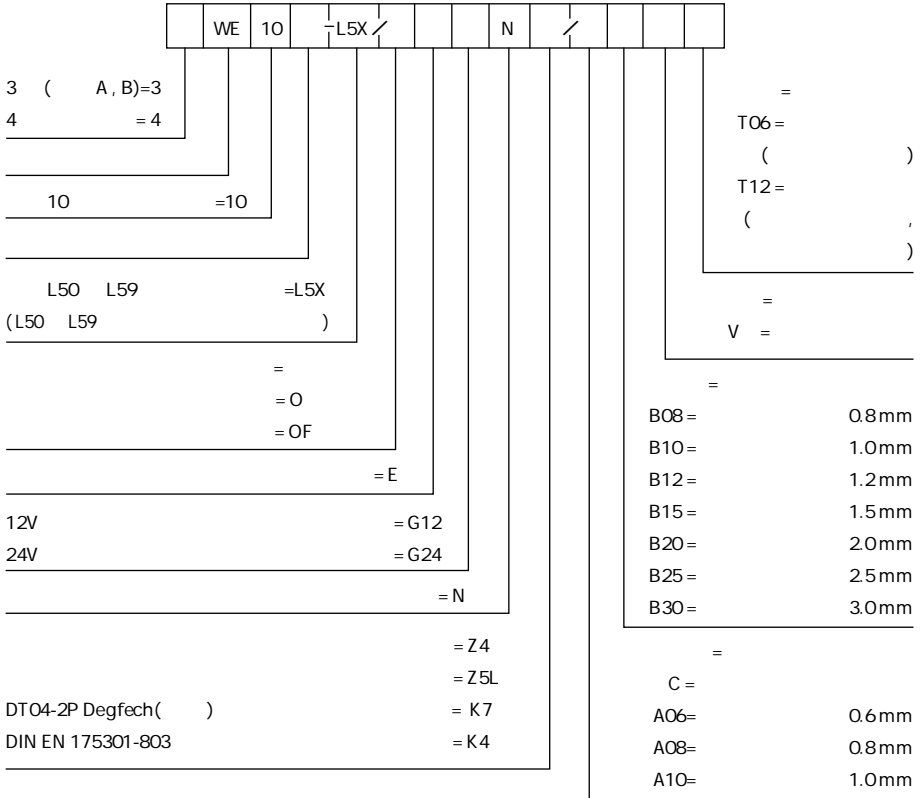
WE10-L5X

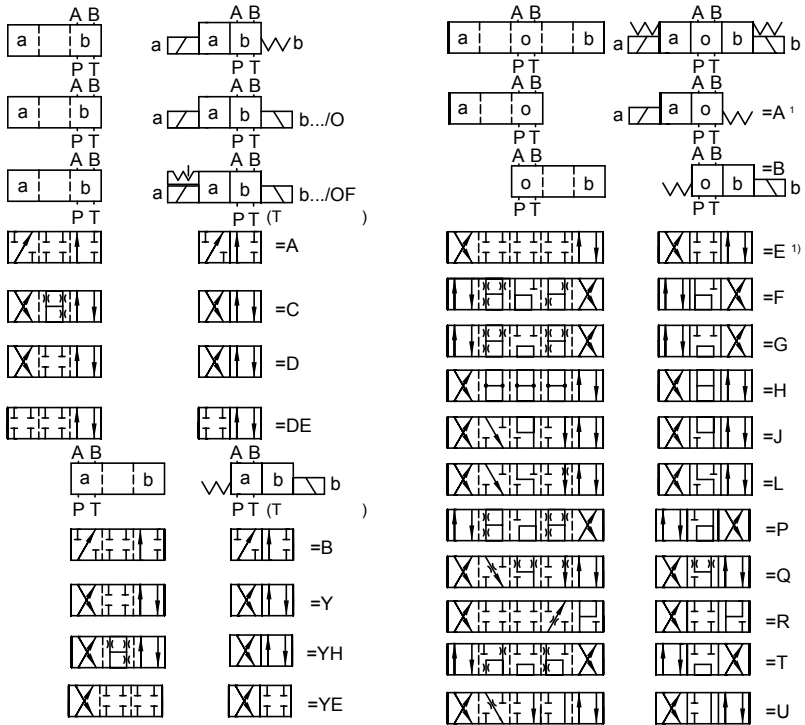


WE10-L5X 5 C 7 AO 8 3
 100me
 9









1) : E "a" ..EA.

		30 +50()
		20 +50()
	kg	4.3()
	kg	5.9()
	A B P bad	350
	T bad	210()
	A B T	
	L/min	150
		(HL HLP) DIN 51 524
		-
		-
		30 +80()
		20 +80()
	mm ² /e	2.8 500
		ISO 4406 (C) 20/18/15

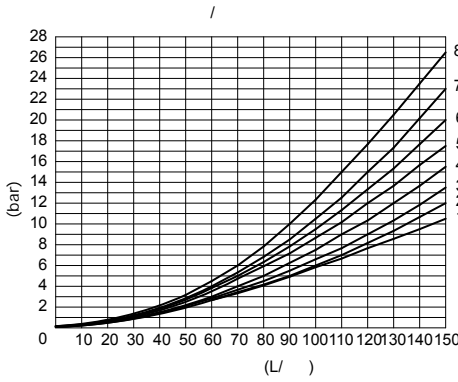
		V	12 24
		%	+10 -15
		W	39
	ISO 6403	me	45 60
()	me	20 30
		/h	15000
	DIN 40050	IP65(Z4, Z5L)	IP67 (K7)
			+150

PE $\frac{1}{3}$

50bad[725pei]

2

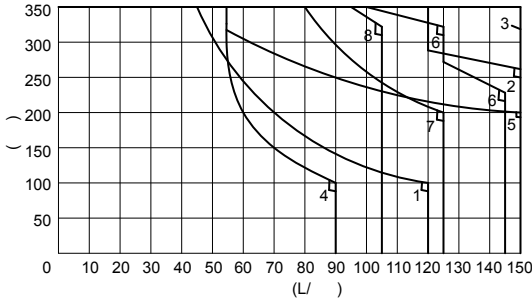
(HLP46 =40 f 5 [104f 9, F])



	P	A	P	B	A	T	B	T	P	T
A	4		4		-		-		-	
B	4		5		-		-		-	
C, J, Y, YH	2		3		5		7		-	
D	2		2		5		7		-	
E	3		3		6		7		-	
F	1		3		3		8		4	
G	4		5		6		8		7	
H	1		1		6		8		7	
L	3		3		5		7		-	
P	3		1		5		6		5	
R	3		4		5		6		-	
U	2		2		5		7		-	
DE	3		-		-		6		-	
YE	-		3		6		-		-	

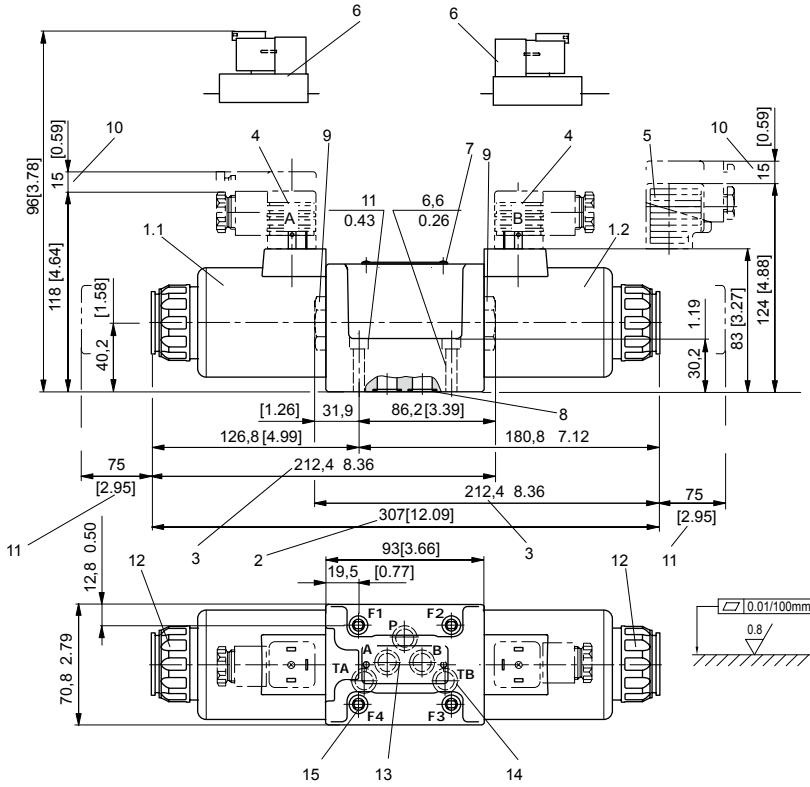
(HLP46 =40 f 5 [104f 9, F])

(P A B T)
 (P A B)
 15 T



1	A B
2	C D Y YH
3	E
4	F P
5	G
6	H L U
7	J
8	R

(mm)



1.1	"a"	11	
1.2	"b"	12	$M_k = 6 + 2Nm [4.43 + 1.48 \text{ ff-lbe}]$
2		13	ISO 4401-05-04-0-05 DIN 24340A10
3		14	TB
4		15	:
	DIN EN 175301-803	4	ISO 4762-M6* 40-10.9
5			$M_k = 15.5Nm [11.4 \text{ ff-lbe}] f 10\%$
	DIN EN 175301-803		
6	DT04-2P		
7			
8	A B P TA TB	G 66/01 (G3/8)	G 66/02 (M18* 1.5)
9	1	G 67/01 (G1/2)	G 67/02 (M22* 1.5)
10		G 534/01 (G3/4)	G 534/02 (M27* 1.5)